



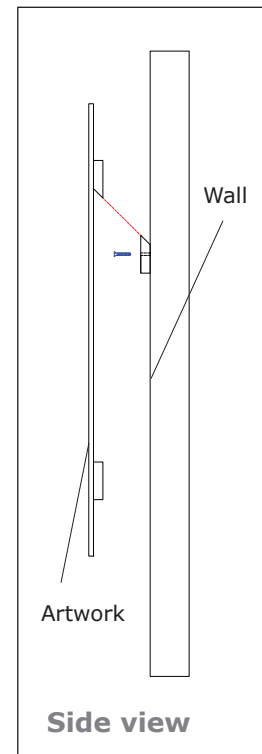
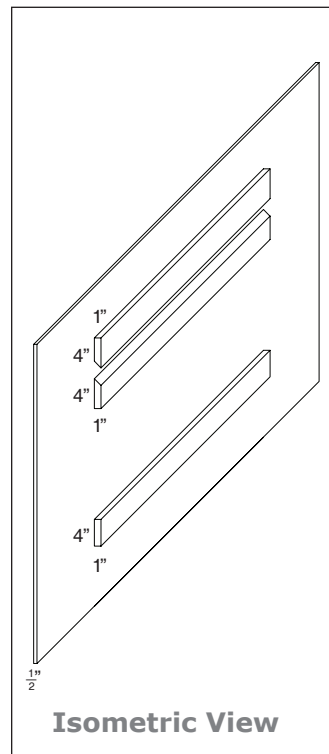
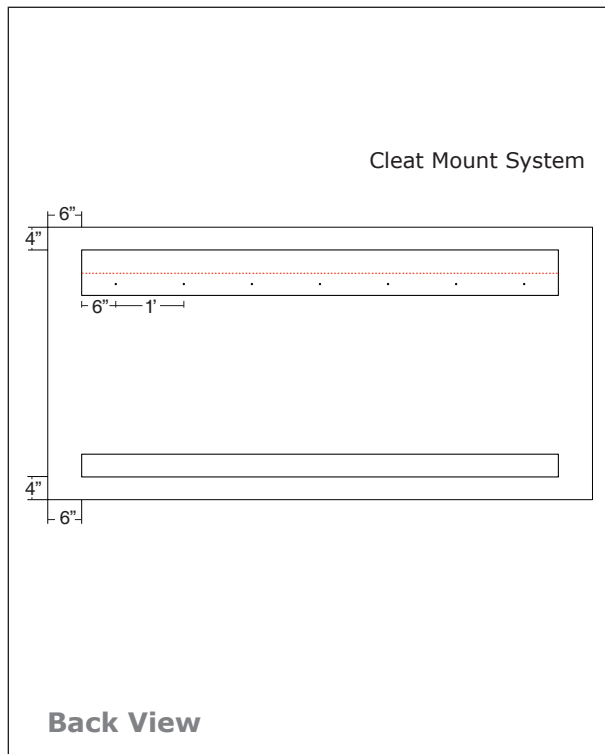
A VACATIONING STATE OF MIND

ACRYLIC

- Cell-cast Acrylic Sheet
- Thermoplastic Material
- Thickness 0.472 inches
- Weight 2.879 lbs. per square foot
- Burning Rate is 1.2 inches per minute according to ASTM D 635
- Smoke Density: Measured by ASTM D 2843 is 11.4%
- More impact resistant than glass



Mounting - (2) 1" thick acrylic French cleats



Direction for Installation

Acrylic cleats come pre-drilled for your convenience. 3" toggle bolts and 3" solid wall screws are included to attach single cleat to the wall. Artwork will simply slide onto wall cleat to complete installation.